



CellCOM PLUS
GSM Audio Intercom

CellCom Plus



Accepts any 2G capable SIM card.
Quad band modem.
850 / 900 / 1800 / 1900 MHz



GSM SIGNAL



Call fixed line phone



Call mobile cell phone



Calls up to 4 numbers in sequence
(depending on model)

- GSM intercom for unlimited range access control.
- Makes phone calls on a SIM card, just like a cell phone.
- Can call up to 4 numbers in sequence (depending on model).
- Can call both fixed line and mobile phones.
- Caller ID feature built in for access control for up to 100 numbers.
- Optional iPhone and Android apps available for advanced control of relay outputs.
- 2 year manufacturers warranty.
- 2 relay outputs.
- IP56 rated panels.
- BS-316 marine grade brushed stainless steel and reinforced gloss black acrylic construction.

Cellcom PLUS
GSM Audio Intercom

CellCom Plus



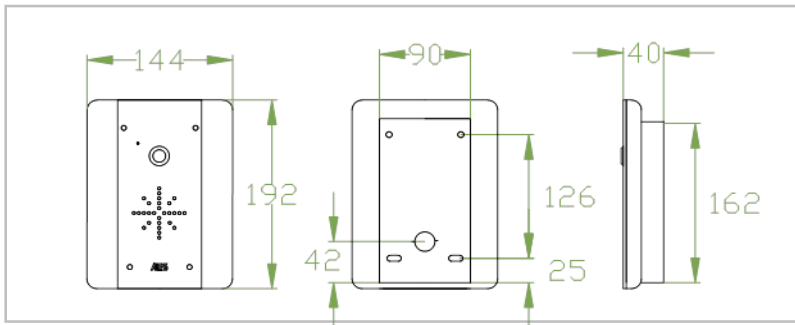
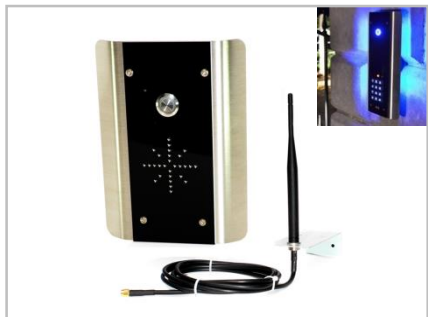
Technical Details

<u>NEW Features for 2016- CellCOM PLUS</u>	
Power Supply	15v dc adaptor included.
GSM PCB Relays	2
Relay type	N/C or N/O, momentary & latching
Dialling numbers	4
Caller ID numbers	100
Alert when gates triggered	
Modem standby	45mA
Max current consumption	250mA, 2 amp peak
<u>Keypad Specs</u>	
Relays	3, with N/C & N/O contacts, latching and momentary operation
Relay load	2A 24v AC max
Keypad codes	1200 codes
Consumption	16mA standby, 200mA peak when relay triggered

Cellcom PLUS Kits & Part numbers

Architectural Panel

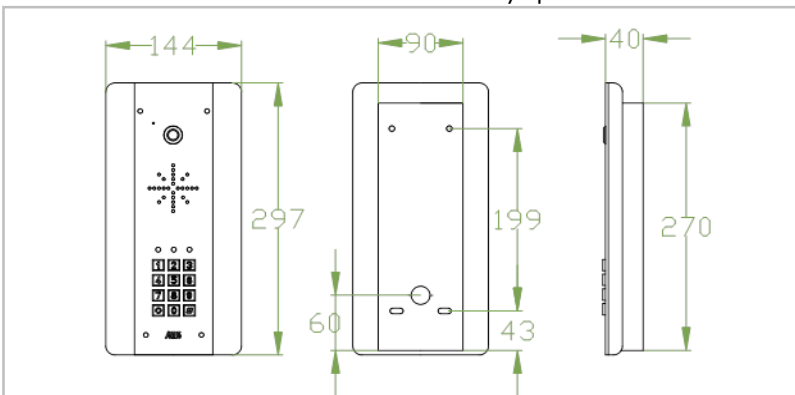
CellCom Plus



GSM-4AB	PLUS model
GSM-4AB/3GE	PLUS model with dual 3G/2G capability (European version)
GSM-4AB/3GA	PLUS model with dual 3G/2G capability (Australian & US version)

-Stylish curved architectural model. Constructed from BS316 marine grade stainless steel and finished with gloss black acrylic trim. Modern blue backlighting.
 -Kit includes speech panel, antenna, power supply & install manual.
 -For Plus model additional features, please refer to pg12.

Architectural Panel with Keypad

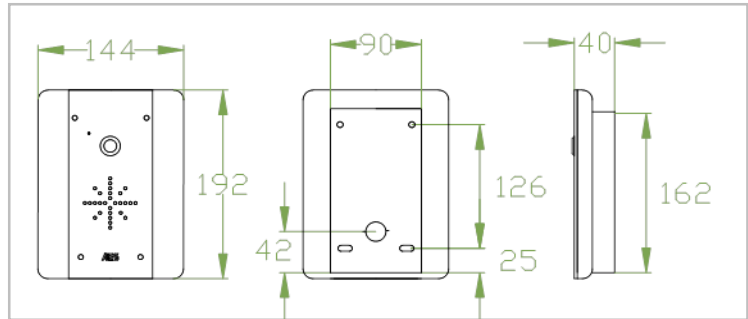


GSM-4ABK	PLUS model
GSM-4ABK/3GE	PLUS model with dual 3G/2G capability (European version)
GSM-4ABK/3GA	PLUS model with dual 3G/2G capability (Australian & US version)

-Stylish curved architectural model. Constructed from BS316 marine grade stainless steel and finished with gloss black acrylic trim. Modern blue backlighting.
 -Keypad includes 3 relays, 1200 codes with latching and momentary operation.
 -Kit includes power supply, antenna and install manual.

Cellcom PLUS
Kits & Part numbers

All Stainless Architectural Panel

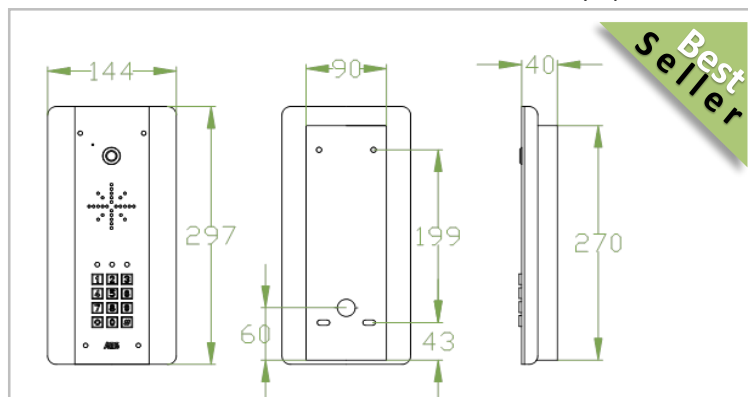


CellCom Plus

GSM-4AS	PLUS model
GSM-4AS/3GE	PLUS model with dual 3G/2G capability (European version)
GSM-4AS/3GA	PLUS model with dual 3G/2G capability (Australian & US version)

- Curved architectural model in an attractive and rugged all brushed BS316 marine grade stainless steel, with modern cool white back lighting illumination.
- Kit includes speech panel, antenna, power supply & install manual.
- For Plus model additional features, please refer to pg12.

All Stainless Architectural with Keypad



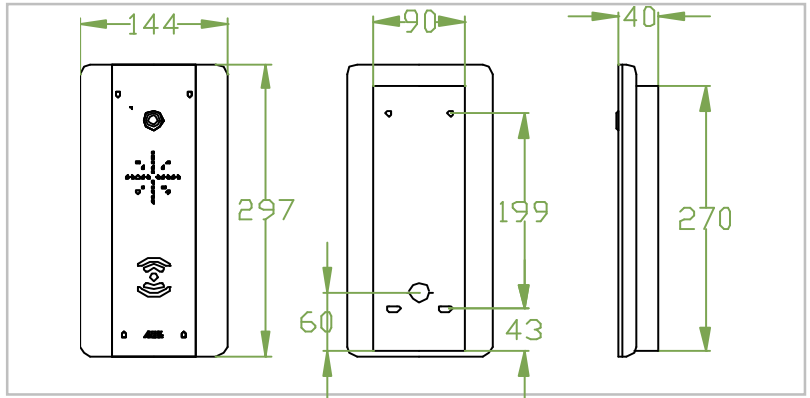
GSM-4ASK	PLUS model
GSM-4ASK/3GE	PLUS model with dual 3G/2G capability (European version)
GSM-4ASK/3GA	PLUS model with dual 3G/2G capability (Australian & US version)

- Curved architectural model in an attractive and rugged all brushed BS316 marine grade stainless steel, with modern cool white back lighting illumination.
- Keypad includes 3 relays, 1200 codes with latching and momentary operation.
- Kit includes power supply, antenna and install manual.

Cellcom PLUS Kits & Part numbers

Architectural Panel with Prox Reader

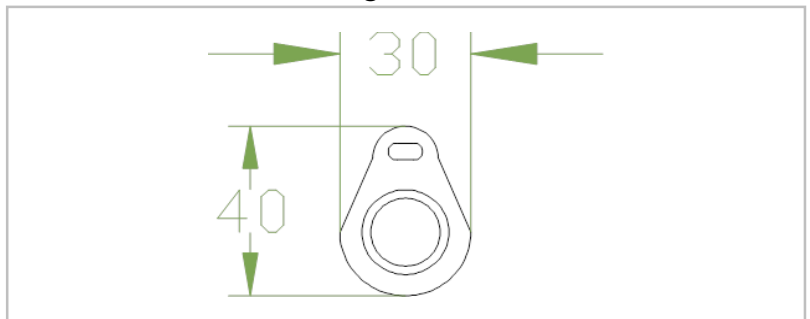
CellCom Plus



GSM-4ABP	PLUS model
GSM-4ABP/3GE	PLUS model with dual 3G/2G capability (European version)
GSM-4ABP/3GA	PLUS model with dual 3G/2G capability (Australian & US version)

- Curved architectural model with proximity reader.
- Comes with 3 user tags, 1 add tag and 1 delete tag.
- Can store up to 1000 user tags.
- BS316 marine grade stainless steel construction, with gloss black acrylic, and modern blue back lighting.
- For PLUS model additional features please refer to page 12.

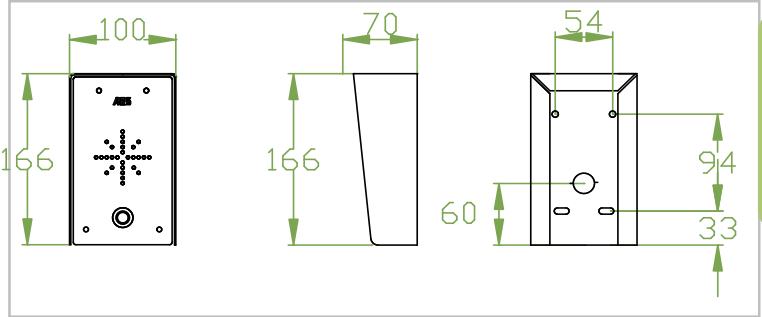
Additional Prox Tags



PROX1	Additional Prox Tag.
-------	----------------------

Cellcom PLUS
Kits & Part numbers

Hooded Panel

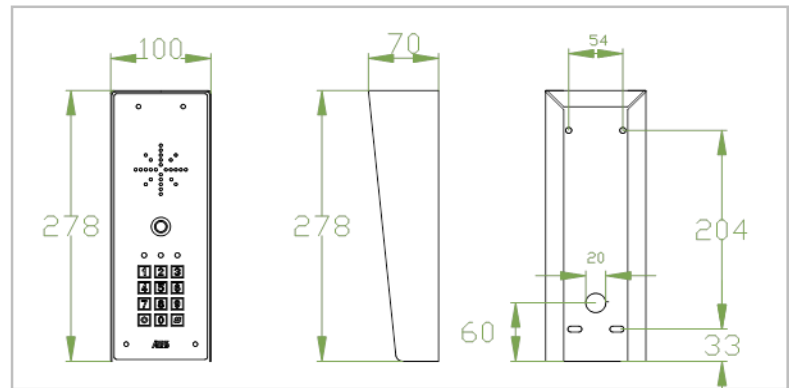


CellCom Plus

GSM-4HB	PLUS model
GSM-4HB/3GE	PLUS model with dual 3G/2G capability (European version)
GSM-4HB/3GA	PLUS model with dual 3G/2G capability (Australian & US version)

- Hooded model, for a more traditional yet smart look.
- BS316 marine grade stainless steel construction with gloss black face trim.
- Kit includes speech panel, antenna, power supply & install manual.
- For Plus model additional features, please refer to pg12.

Hooded Panel with Keypad



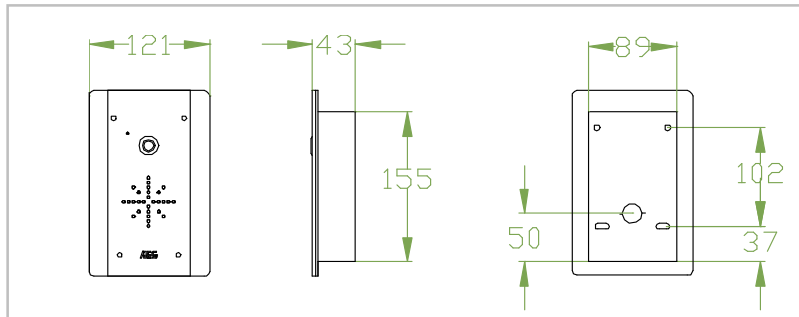
GSM-4HBK	PLUS model
GSM-4HBK/3GE	PLUS model with dual 3G/2G capability (European version)
GSM-4HBK/3GA	PLUS model with dual 3G/2G capability (Australian & US version)

- Hooded model with Keypad.
- Keypad includes 3 relays, 1200 codes, with latching & momentary operation + more.
- BS316 marine grade stainless steel construction with gloss black face trim.
- Kit includes speech panel, antenna, power supply & install manual.

Cellcom PLUS Kits & Part numbers

Flush Recessed Panel

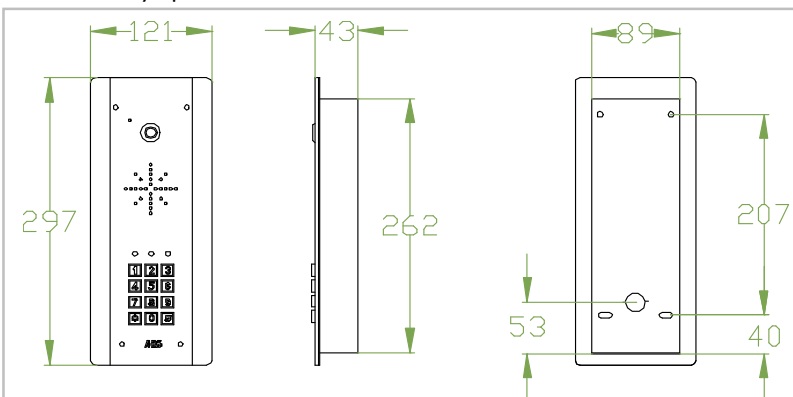
CellCom Plus



GSM-4FB	PLUS model
GSM-4FB/3GE	PLUS model with dual 3G/2G capability (European version)
GSM-4FB/3GA	PLUS model with dual 3G/2G capability (Australian & US version)

- Flush recessed model for a sleek finish.
- BS316 marine grade stainless steel construction with gloss black face trim.
- Kit includes speech panel, antenna, power supply & install manual.
- For Plus model additional features, please refer to pg12.

Flush with Keypad Panel



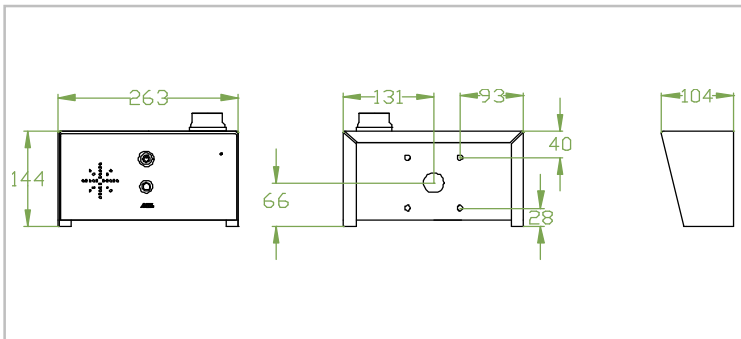
GSM-4FBK	PLUS model
GSM-4FBK/3GE	PLUS model with dual 3G/2G capability (European version)
GSM-4HBK/3GA	PLUS model with dual 3G/2G capability (Australian & US version)

- Flush recessed model with keypad for a sleek finish.
- Keypad includes 3 relays, 1200 codes, with latching & momentary operation + more.
- BS316 marine grade stainless steel construction with gloss black face trim.
- Kit includes speech panel, antenna, power supply & install manual.

Cellcom PLUS

Kits & Part numbers

Industrial Panel

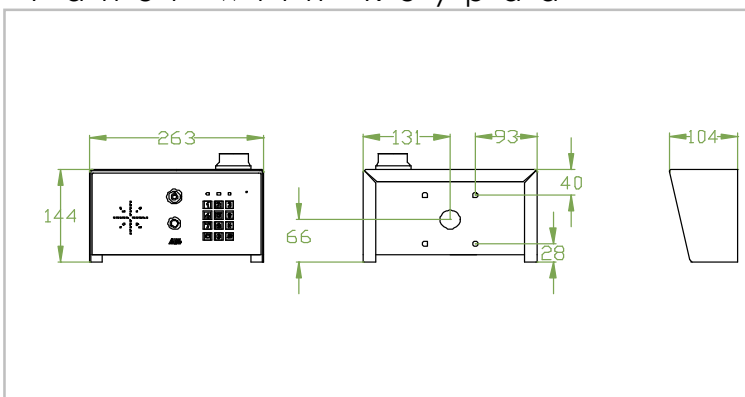


CellCom Plus

GSM-4iB	PLUS model
GSM-4iB/3GE	PLUS model with dual 3G/2G capability (European version)
GSM-4iB/3GA	PLUS model with dual 3G/2G capability (Australian & US version)

- Industrial version for pedestal mount, vehicle entrances, trucks and loud industrial applications.
- BS316 marine grade stainless steel construction with gloss black face trim.
- Kit includes speech panel, antenna, power supply & install manual.
- For Plus model additional features, please refer to pg12.

Industrial Panel with Keypad



GSM-4iBK	PLUS model
GSM-4iBK/3GE	PLUS model with dual 3G/2G capability (European version)
GSM-4iBK/3GA	PLUS model with dual 3G/2G capability (Australian & US version)

- Industrial version for pedestal mount, vehicle entrances, trucks and loud industrial applications.
- Keypad includes 3 relays, 1200 codes, with latching & momentary operation + more.
- BS316 marine grade stainless steel construction with gloss black face trim.
- Kit includes speech panel, antenna, power supply & install manual.

